

980L UMA for Underground Applications





Some statistics*

- Labor of mechanics – 631 MnH
 - Labor of designers – 480 MnH
 - 2500 kg of metal was spent on rebuild processes
- *first machine



980 L UMA

Caterpillar Confidential: YELLOW

 **BORUSAN**



**ЖЕЛЕЗНЫХ
РЕШЕНИИ**

progress via



> People



> Process



> Product Excellence

980L UMA Consist

Low Profile FOPS Canopy (< 3.2 m OH)
Pilot implement controls, Enclosed Cab, Air Conditioning

Operator Present System
(Parking brake engages when door open)

Updated inlet and exhaust lines

Windshield protection

Steel Engine Hood

Tilt Cylinder Guards

Update filter bases

Hydraulic Valve Steel Hood, additional light

HD Rock Bucket (5.6m3) + reinforcement

Steel Fenders

B-Pin retainer Locking device

Updated hydraulic lines, updated parking brake

New Fuel tank

Additional counterweight

Relocated batteries



980 L UMA

Caterpillar Confidential: YELLOW



ЖЕЛЕЗНЫХ РЕШЕНИЙ

BUCKET

Mass – 4803 kg

Volume – 5,6 m³

Edge-cutting plates

Positoners for to adjust the angle of rotation of the bucket

Underground buckets are ordered by special order from the Netherlands (Caterpillar Work Tool), p/n 251-7374
Rock bucket to work in difficult conditions.

980 L UMA

Caterpillar Confidential: YELLOW

BORUSAN



ЖЕЛЕЗНЫХ РЕШЕНИИ



> People

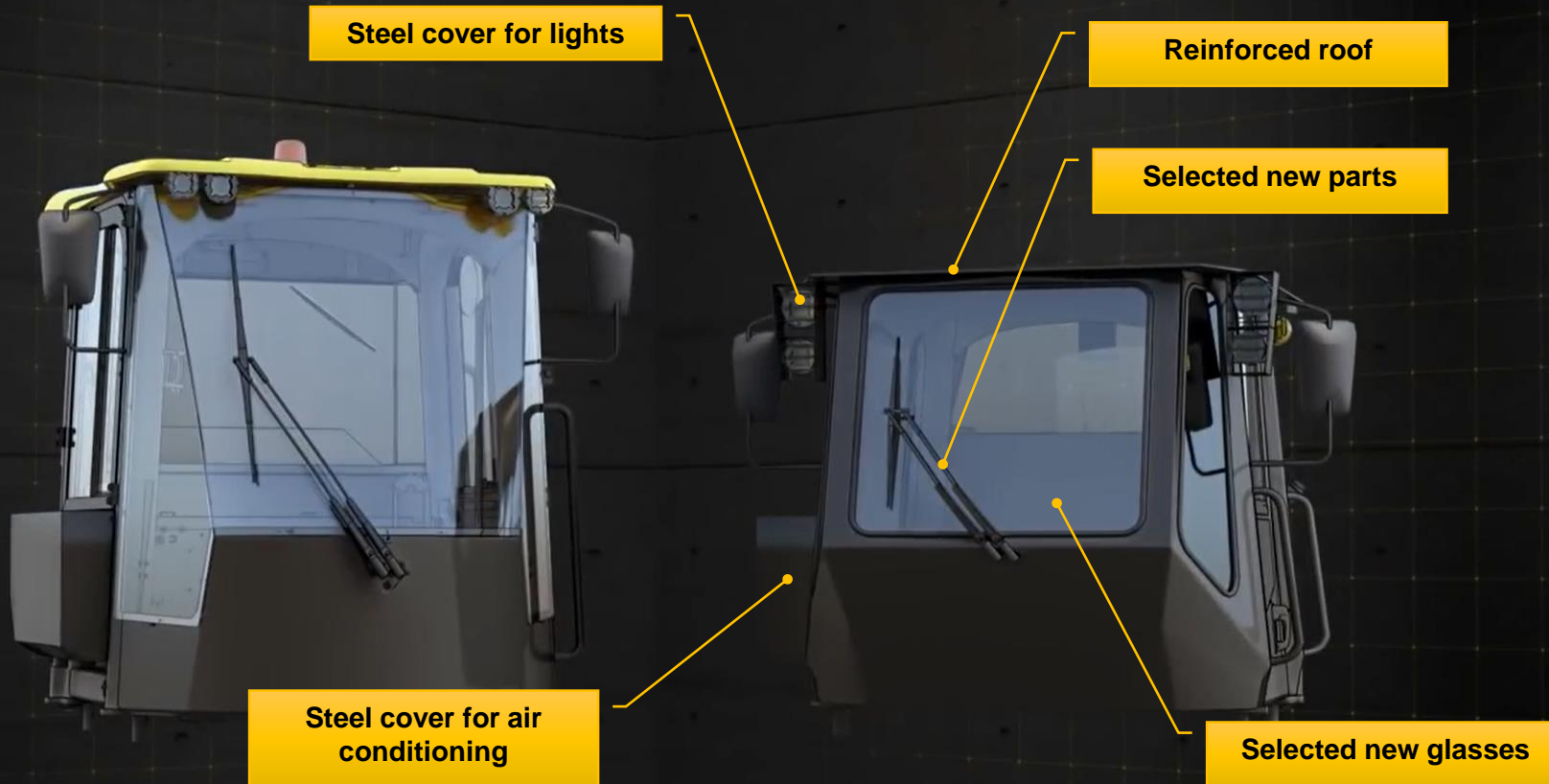


> Process



> Product Excellence

CAB



1. All glasses from CAT manufacture
2. Before the development of a new cab, 50 glasses of machines of CAT were considered.
3. Front window from 980H MHG, side from D6R and rear window from R1300

progress via



> People



> Process



> Product Excellence

980 L UMA

Caterpillar Confidential: YELLOW

 BORUSAN

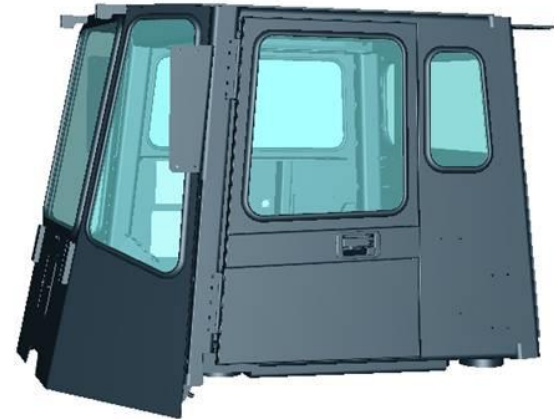


ЖЕЛЕЗНЫХ
РЕШЕНИИ

CAB



980L



980L UMA



980 L UMA

Caterpillar Confidential: YELLOW



ЖЕЛЕЗНЫХ
РЕШЕНИИ

progress via



> People



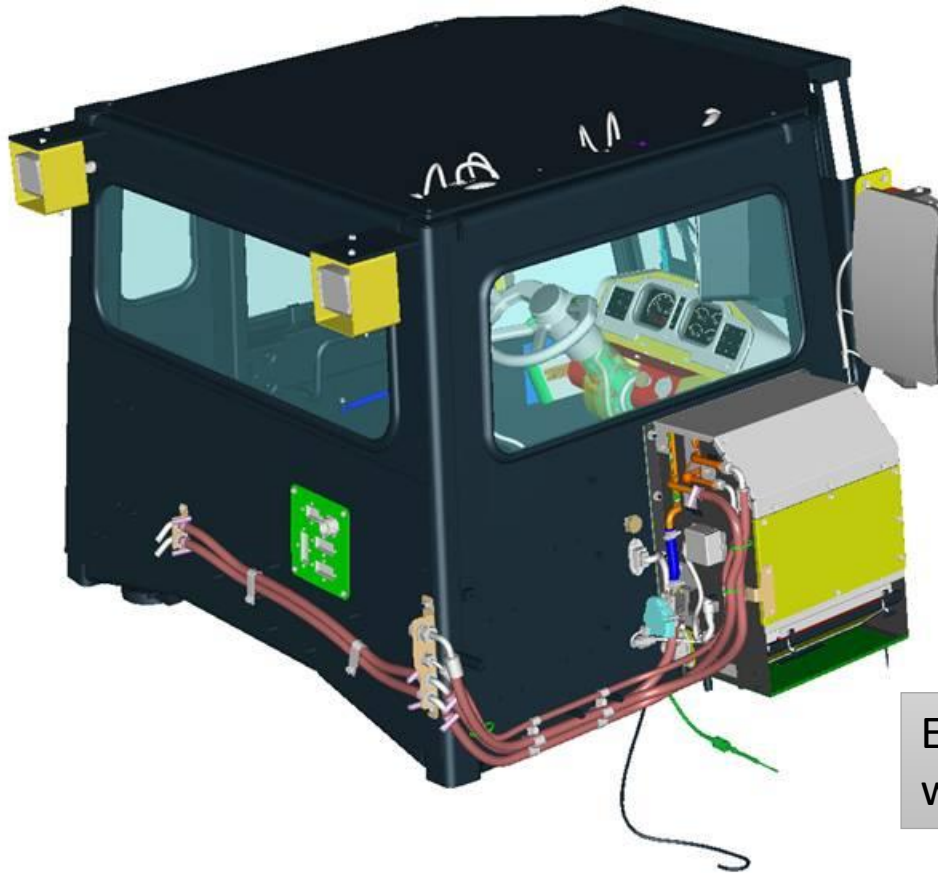
> Process



> Product Excellence

CAB

980L UMA



Electric control is changed to hydraulic control with alteration of the pilot control scheme.

980 L UMA

Caterpillar Confidential: YELLOW

 BORUSAN



ЖЕЛЕЗНЫХ
РЕШЕНИИ

progress via



> People

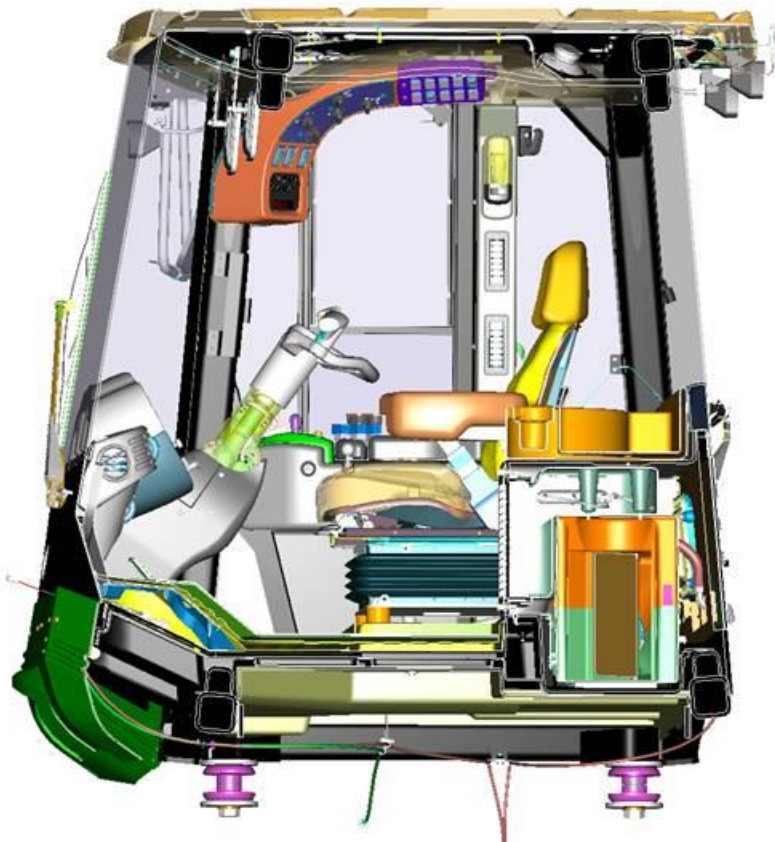


> Process

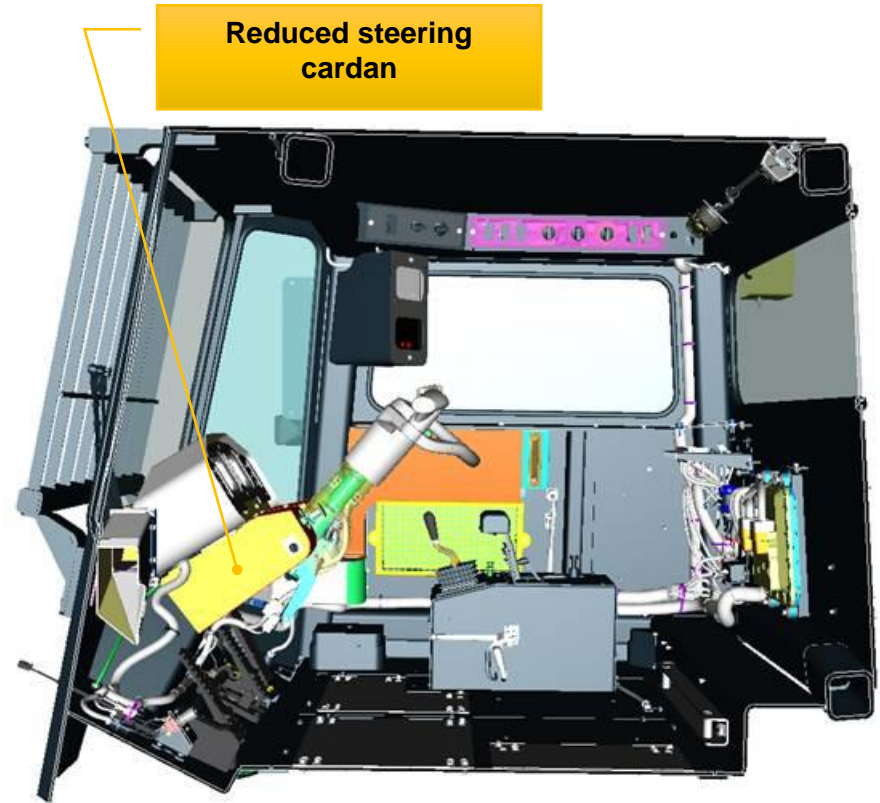


> Product Excellence

CAB



980L



980L UMA

progress via



> People



> Process



> Product Excellence

980 L UMA

Caterpillar Confidential: YELLOW

BORUSAN



ЖЕЛЕЗНЫХ
РЕШЕНИЙ

CAB

980L UMA



New location control panel



New control joysticks,
new hydraulic valve

progress via



> People



> Process



> Product Excellence

980 L UMA

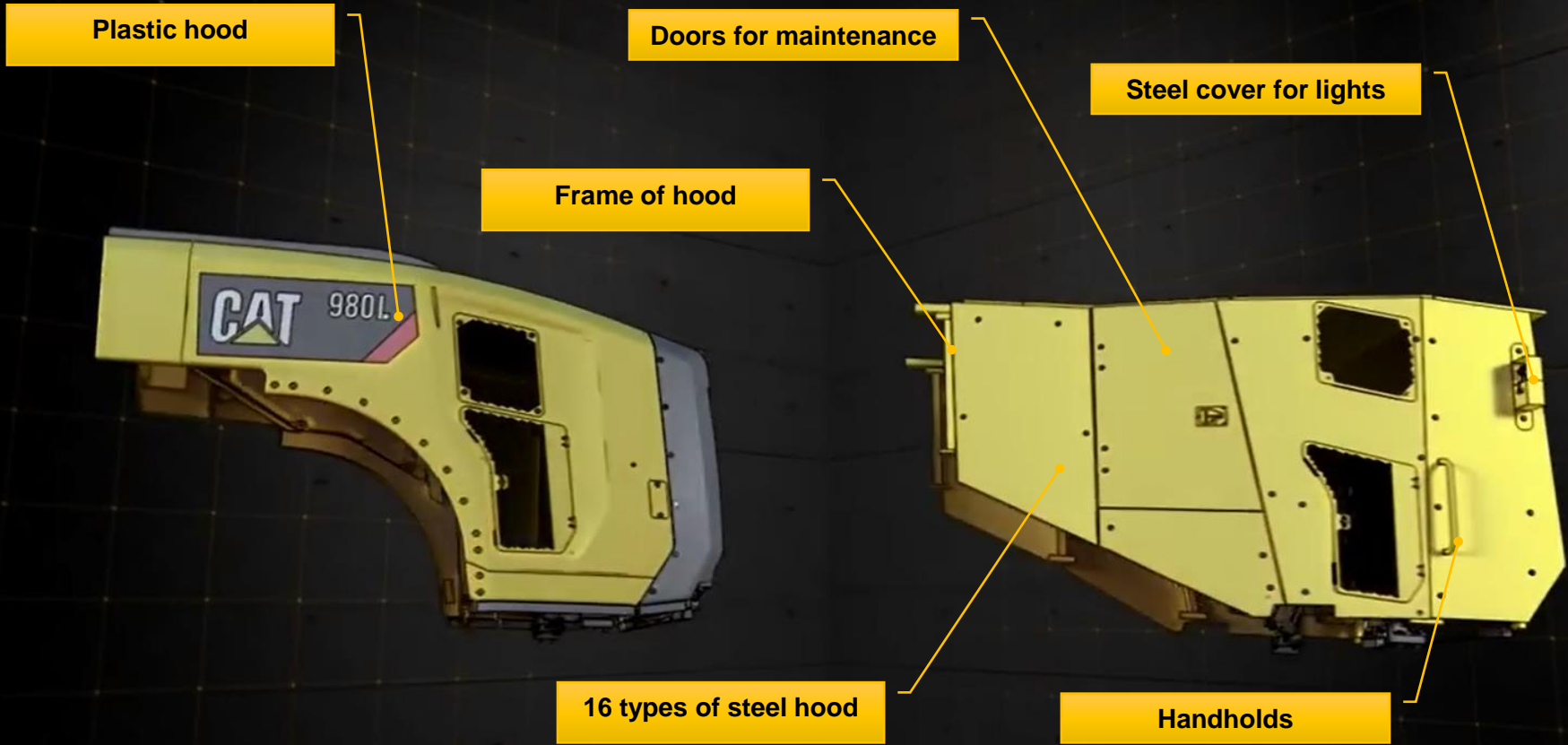
Caterpillar Confidential: YELLOW

 **BORUSAN**



**ЖЕЛЕЗНЫХ
РЕШЕНИИ**

NEW STEEL HOOD



progress via



> People



> Process



> Product Excellence

980 L UMA

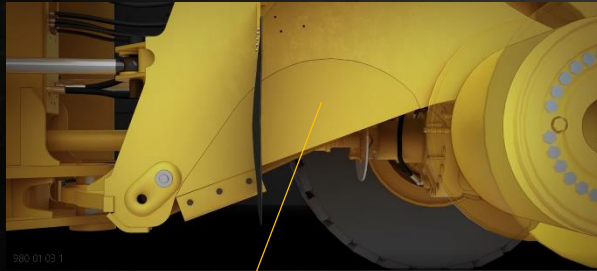
Caterpillar Confidential: YELLOW

 BORUSAN



ЖЕЛЕЗНЫХ
РЕШЕНИИ

Rear Guarding & Full Steel Hood



Sheltered side wall front frame

Lights and flasher guards

Radiator protection

Steel fenders

Transmission and engine bottom guard

Additional counterweight

progress via



> People



> Process



> Product Excellence

980 L UMA

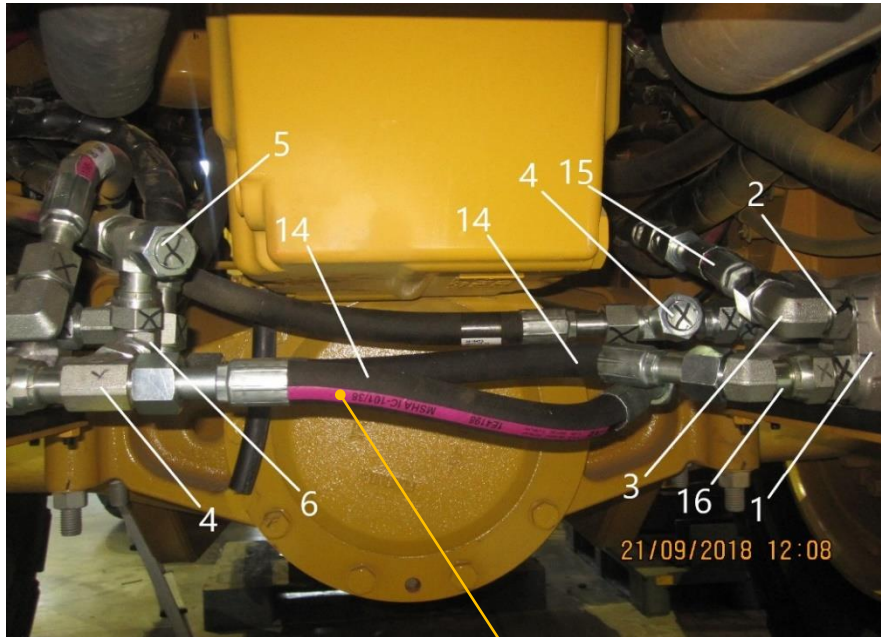
Caterpillar Confidential: YELLOW

 BORUSAN

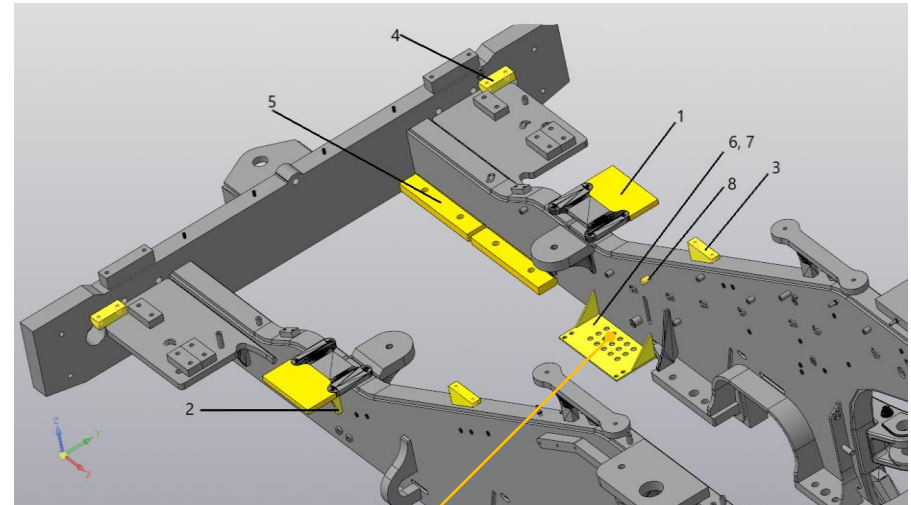


ЖЕЛЕЗНЫХ РЕШЕНИЙ

COOLING OF AXLES



Updated cooling axle lines



Installed new steel brackets for coolers



Maintenance door for cooling axle

progress via



> People



> Process



> Product Excellence

980 L UMA

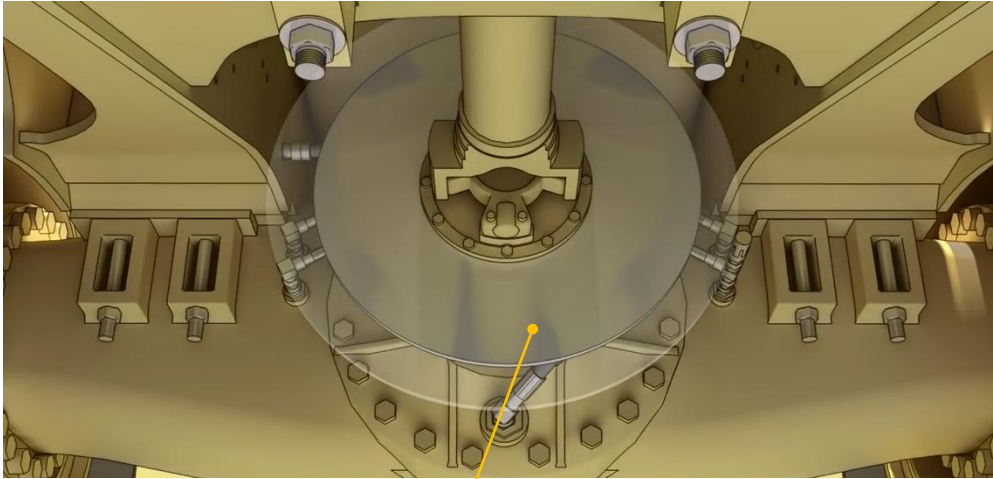
Caterpillar Confidential: YELLOW

BORUSAN

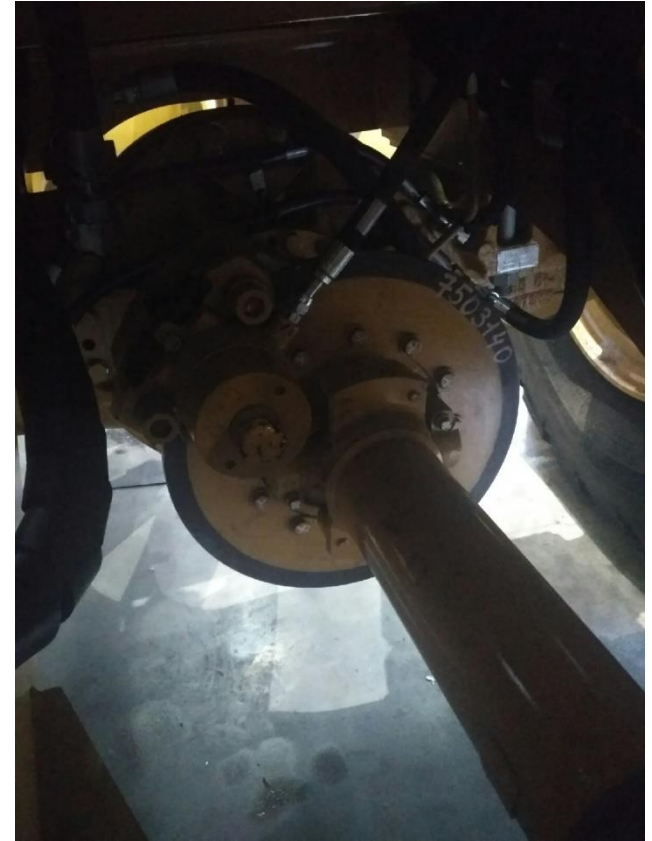


ЖЕЛЕЗНЫХ РЕШЕНИЙ

PARKING BRAKE



Reduced parking
brake disk and
bracket



progress via



> People



> Process



> Product Excellence

980 L UMA

Caterpillar Confidential: YELLOW

 BORUSAN



ЖЕЛЕЗНЫХ
РЕШЕНИИ

WEIGHT VALUES

Steel hood with frame – 480 kg

New cab – 860 kg

Radiator guard – 550 kg

New details on the front frame – 322 kg



Counterweight plates – 1040 kg

Fuel tank – 250 kg

Bucket – 4803 kg

980 L UMA

Caterpillar Confidential: YELLOW

BORUSAN



ЖЕЛЕЗНЫХ РЕШЕНИИ

progress via



> People

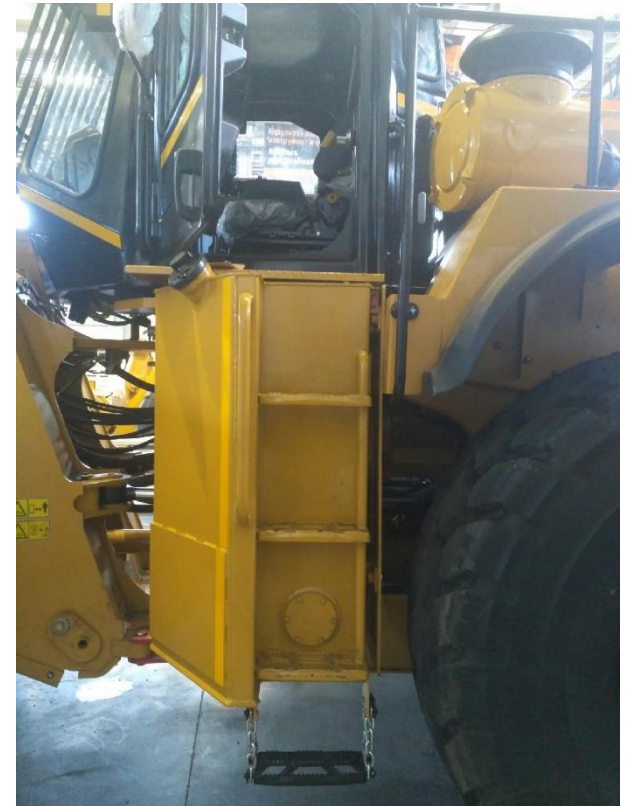
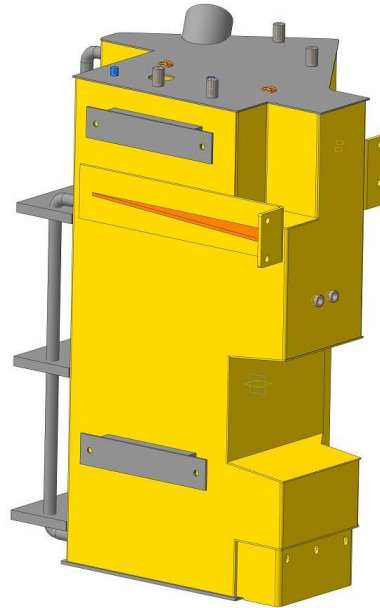
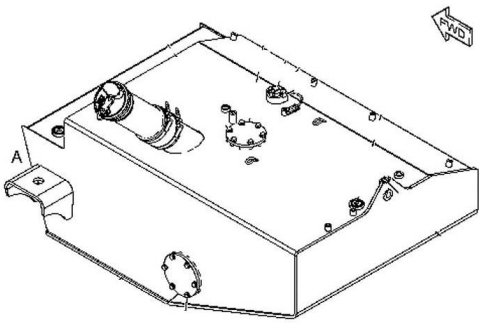


> Process



> Product Excellence

NEW FUEL TANK



1. Selected new fuel level sensor.
2. New fuel tank consists 30 new details and steps for enter to cab.
3. Selected new location for fuel tank, laying new fuel lines
4. Ladders on chains.

progress via



> People



> Process



> Product Excellence

980 L UMA

Caterpillar Confidential: YELLOW

 BORUSAN



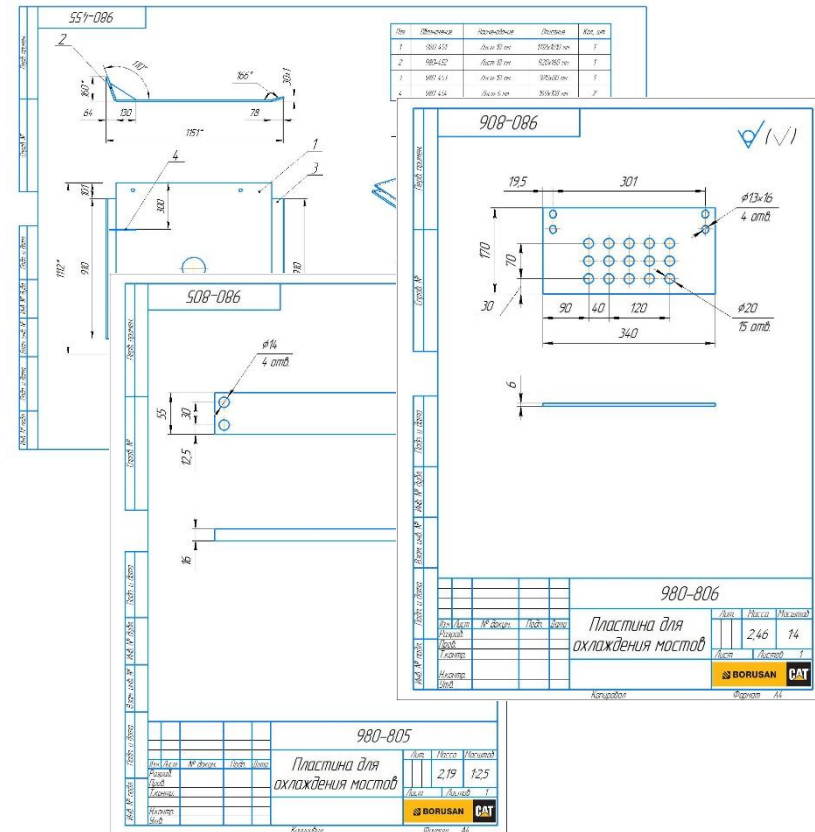
ЖЕЛЕЗНЫХ
РЕШЕНИИ



Parts Manual

980L UMA Wheel Loader

DE21-UP (Machine)
TX01-UP (Engine)
J5D1-UP (Transmission)
T2M1-UP (Torque Converter)



During the modernization of the loader were developed Parts Manual 980L UMA with all new parts and 400 drawings of new details.

progress via



> People



> Process



> Product Excellence

980 L UMA

Caterpillar Confidential: YELLOW

BORUSAN



ЖЕЛЕЗНЫХ РЕШЕНИИ

980L UMA #1-15



progress via



> People



> Process



> Product Excellence

980 L UMA

Caterpillar Confidential: YELLOW

 BORUSAN



**ЖЕЛЕЗНЫХ
РЕШЕНИИ**

980L UMA #16-24

